

High power HV power supply module

High performance modular design

NEW

W series ■■■

— 120W · 200W · 300W · 350W —



- > Compact · Light weight
- > Remote control · monitor
- > CC · CV automatic crossover
- > High efficiency
- > Full protection for output short circuit and arc
- > Wide output lineup

SUMMARY

The W series is a compact, high power module with AC input. It is best suited for CRT evaluation, x-ray systems, and capacitor charging applications. Equipped with full remote control capabilities and monitors, it features a wide range of outputs from 500V to 40kV / 120W to 350W.

LINEUP

Output Voltage (kVdc)	120W			200W			300W to 350W		
	Output Current (mA)	Model	Ripple	Output Current (mA)	Model	Ripple	Output Current (mA)	Model	Ripple
0 to 0.5	0 to 240	W1-0.5*	0.2%	0 to 400	W2-0.5*	0.5%	0 to 700	W3-0.5*	0.5%
0 to 1	0 to 120	W1-1*	0.2%	0 to 200	W2-1*	0.2%	0 to 350	W3-1*	0.3%
0 to 1.5							0 to 200	W3-1.5*	0.3%
0 to 3	0 to 40	W1-3*	0.2%	0 to 67	W2-3*	0.2%	0 to 117	W3-3*	0.3%
0 to 5	0 to 24	W1-5*	0.2%	0 to 40	W2-5*	0.2%	0 to 70	W3-5*	0.3%
0 to 10	0 to 12	W1-10*	0.2%	0 to 20	W2-10*	0.2%	0 to 35	W3-10*	0.3%
0 to 20	0 to 6	W1-20*	0.2%	0 to 10	W2-20*	0.2%	0 to 17.5	W3-20*	0.3%
0 to 30	0 to 4	W1-30*	0.5%	0 to 6.7	W2-30*	0.5%	0 to 11.7	W3-30*	0.5%
0 to 33	0 to 3.5	W1-33*	0.5%						
0 to 35	0 to 3.3	W1-35*	0.5%						
0 to 40	0 to 3	W1-40*	0.5%	0 to 5	W2-40*	0.5%	0 to 8.7	W3-40*	0.5%

*P for Positive, N for Negative Polarity

SPECIFICATIONS

Input Voltage AC115V $\pm 10\%$ 50/60Hz

Output Voltage Control Via external voltage source 0 to 10V or external 5k Ω potentiometer

Voltage Regulation Line : $\pm 0.02\%$ (of max voltage for Input $\pm 10\%$ change)
Load : 0.02%(of max voltage for full load change)

Current Regulation Line : $\pm 0.1\%$ (of max current for Input $\pm 10\%$ change)
Load : 0.2%(of max current for full load change)

Stability 0.02%/Hr, 0.05%/8Hr(at voltage operation)
0.05%/Hr, 0.1%/8Hr(at current operation)

Temperature coef. 0.02%/ $^{\circ}\text{C}$ (at voltage operation)
0.05%/ $^{\circ}\text{C}$ (at current operation)

Monitor 0 to 10V, $\pm 1\%$ (at max rated output)

High Voltage ON/OFF Short = HV ON, Open = HV OFF

Protection Protection against overvoltage, over current, short circuit, arc and over temperature

Efficiency 80% TYP

Temperature range Operating : 0 to + 50 $^{\circ}\text{C}$
Storage : -40 to + 85 $^{\circ}\text{C}$

HV Output Cable 2.5m HV shielded cable

AC Input Cable 2.5m 3-wire line cord

Signal Input Connector(assorted)

Subminiature D-type Connector 25 pin

- Voltage, Current Program(0 to 10V, 0 to 5k Ω)

- Voltage, Current Monitor(0 to 10V)

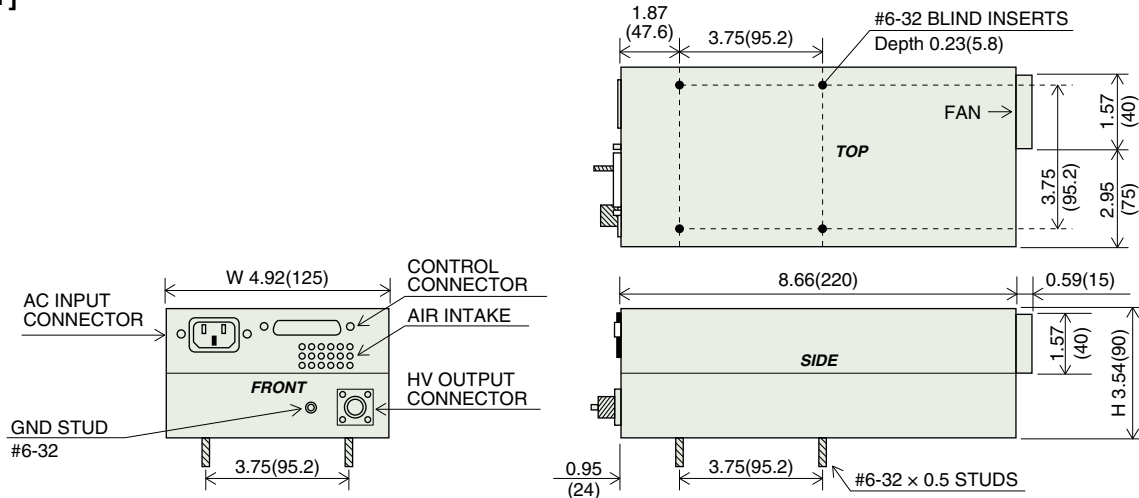
- HV ON/OFF • Inter lock

- HV status • 10.24V reference

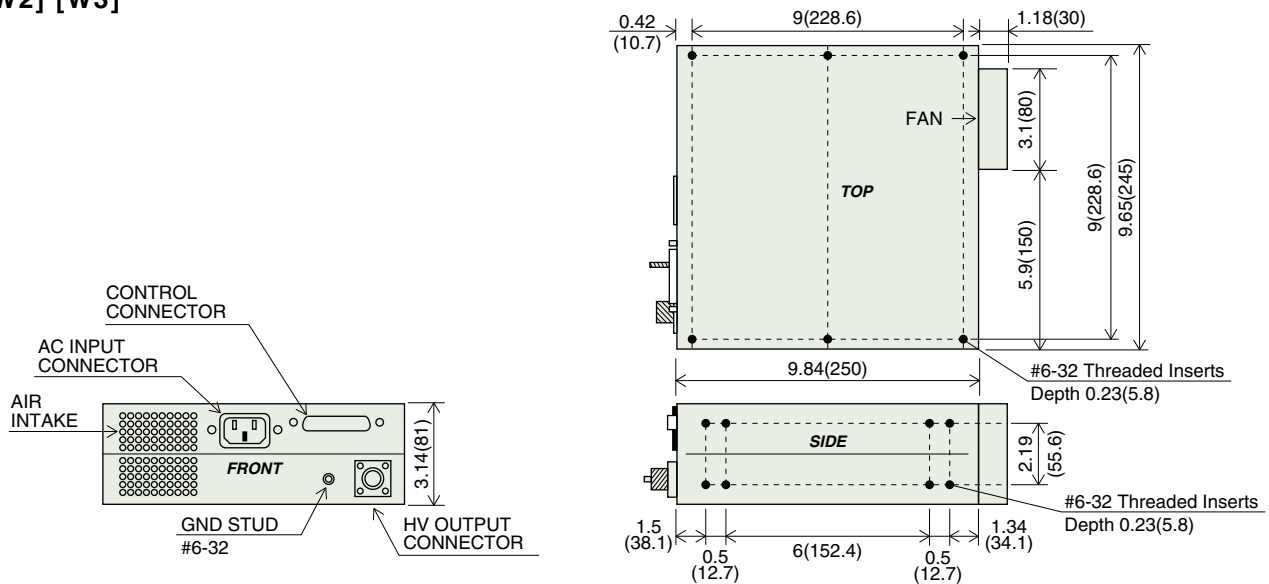
*These specifications are at the maximum rated output after a warm-up period unless otherwise specified.
The external appearance and specifications of all products shown in this catalog are subject to change without notice.

DIMENSIONS inch(mm)

[W1]



[W2] [W3]



OPTIONS

L(100V) Input Voltage AC 100V±10%

L(200V) Input Voltage AC 200V±10%

L(230V) Input Voltage AC 230V±10%

*When ordering, please suffix L Mark(option mark) to the model number.
(e.g.)W1-0.5P-L(230V)