

Miniature on-board

# PMT HV Power Supply



TG Series

1085-03A-1



## FEATURES

- The smallest ultra compact on-board module
- Low ripple, 5mVp-p(1kV output type)
- Wide output voltage range(Linearly variable from 0V)
- High performance in such a compact case
- External potentiometer or external control voltage programming

## SUMMARY

TG series is miniaturized, well regulated high voltage power supply designed for PMT application. Its high reliability and low noise features are ideal for PMT or MCP applications.

## LINE UP

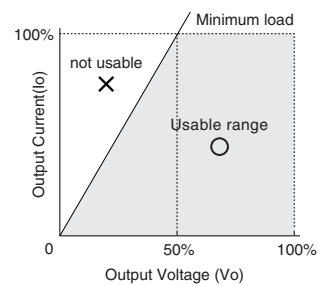
Output Voltage (kVdc)	Output		MODEL		Ripple (mVp-p)
	Output Current(mA)	Minimum load* (Ω)	Positive polar output	Negative polar output	
0 to 0.2	7.5	15k	TG-0.2P- ★1	TG-0.2N- ★1	20
0 to 0.5	3	90k	TG-0.5P- ★1	TG-0.5N- ★1	30
0 to 1	1.5	350k	TG-1P- ★1	TG-1N- ★1	5
0 to 1.25	1.2	550k	TG-1.25P- ★1	TG-1.25N- ★1	7
0 to 1.5	1	750k	TG-1.5P- ★2	TG-1.5N- ★2	7
0 to 2	0.7	1.5M	TG-2P- ★2	TG-2N- ★2	20

★: Rated output current is not to be drawn at low output voltage range. See output range below. [NOTE] For extra safety ground the case and ② terminal when operation.  
★1 Specify input voltage, "5" for 5Vdc, "12" for 12Vdc, "15" for 15Vdc. ★2 Specify input voltage, "12" for 12Vdc, "15" for 15Vdc.

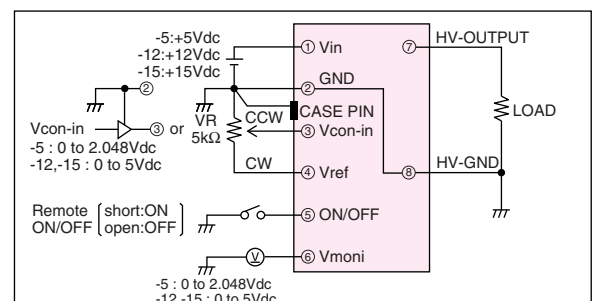
## SPECIFICATIONS

- Input voltage/current** -5: +5Vdc ±5% 550mA typ.  
-12: +12Vdc ±1Vdc 230mA typ.  
-15: +15Vdc ±1Vdc 180mA typ.
- Output control** By external potentiometer or external control voltage(Vcon-in) (input impedance: 100kΩ)
- Regulation** Line : ±0.001% (-5 : for ±5% input voltage change)  
-12,-15 : for ±1V input voltage change)  
Load : 0.005%(for 0 to 100% load change)
- Stability** 0.02%/Hr
- Temperature coefficient** 25ppm/°C typ.
- Setting voltage accuracy** ±2%(at maximum output Vcon-in)
- Reference voltage** -5 : 2.048V±1% -12,-15 : 5V±1%
- Voltage monitor** -5 : 0 to 2.048Vdc -12,-15 : 0 to 5Vdc  
(output impedance: 10kΩ)
- Remote ON/OFF** By contact signal(Open: OFF, Short: ON)
- Protection** Reversible input connection,(-12,-15)  
Intermittent output short circuit(-5,-12,-15)
- Temperature range** Operation : -10°C to +50°C, Storage : -25°C to +85°C
- Weight** 40g(approx.)

## OUTPUT RANGE



## CONNECTION DIAGRAM



1.Pin ② and ③ are internally connected(isolated from CASE)  
2.CASE PIN should be always connected to ground.  
3.Use potentiometer of low Temp.Coefficient or metal film resistor for external VR.

**■ DIMENSIONS inch (mm)**

