

**NEW**

# J6 series

— 6W output power —



- > Ultra low noise, high stability
- > High power 6W
- > Output control with external voltage
- > Extensive protection circuit

## SUMMARY

The J6 series is a high power(6W) PMT power supply featuring ultra low noise(5mV). It is also a marvelous choice for photo tubes, GM tubes, and radiation counters.

## LINEUP

| Output Voltage (kV)dc | Output Current (mA) | Output Power (W) | MODEL    | Ripple (mVp-p) |
|-----------------------|---------------------|------------------|----------|----------------|
| 0-1                   | 6                   | 6                | J6-1*    | 5              |
|                       | 15                  | 15               | J15-1*   | 10             |
| 0-1.5                 | 4                   | 6                | J6-1.5*  | 5              |
|                       | 10                  | 15               | J15-1.5* | 10             |
| 0-2                   | 3                   | 6                | J6-2*    | 5              |
|                       | 7.5                 | 15               | J15-2*   | 10             |
| 0-3                   | 2                   | 6                | J6-3*    | 20             |
|                       | 5                   | 15               | J15-3*   |                |
| 0-5                   | 1.2                 | 6                | J6-5*    |                |

\*P for Positive, N for Negative Output Polarity

## SPECIFICATIONS

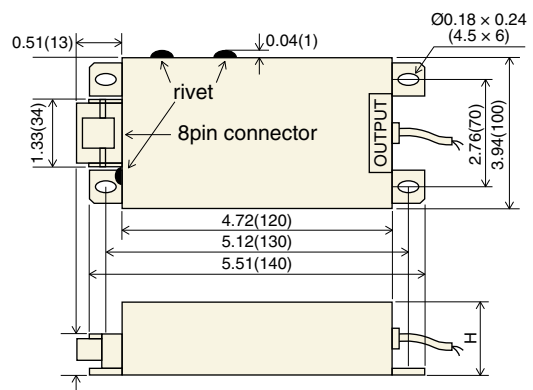
- Input Voltage** +24Vdc±1V J6 : 600mA TYP J15 : 1A TYP
- Output Voltage Control** By external 0 to +10V input
- Regulation** Line : ±0.005% for ±1V input change  
Load : 0.005% for 10 to 100% load change
- Stability** 0.005%/Hr 0.01%/8Hr
- Temperature coef.** 0.005%/°C
- Protection** Short circuit and arc protected
- Input terminal** 8 pin connector
- Accessories** mating connector and pins  
(Recommendation :  
wire for pin ①, ② are AWG18  
wire for pin ③ to ⑧ are AWG22 to 18  
Crimp Tooling for Molex crimp terminal 2478, 2578)
- HV output cable** 50cm(1.6 feet) RG-59u cable
- Temperature range** Operating : 0 to 45 °C  
Storage : -20 to 75 °C

Note : These specifications are at the maximum rated output after a ½ Hr warm-up period unless otherwise specified.

## OPTIONS

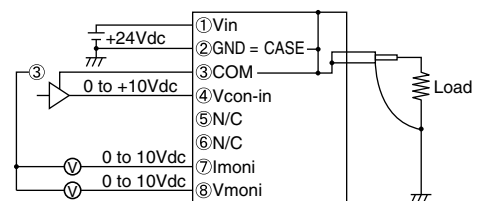
- LMH** MHV OUTPUT CONNECTOR
- LSH** SHV OUTPUT CONNECTOR
- CN8R** Assembled input connector(accessory)  
(connector with 25cm flying lead)

## DIMENSIONS inch(mm)



J6 : H = 1.38(35)  
 J15 : H = 2.95(75) INCL. Heat sink

## CONNECTION DIAGRAM



## OUTPUT MONITOR

| Monitor | Output Polarity |             | Accuracy                                      |
|---------|-----------------|-------------|---|
|         | P               | N           |   |
| Voltage | 0 to +10Vdc     | 0 to -10Vdc | 2.5%  |
| Current | 0 to -10Vdc     | 0 to +10Vdc | J6 5%(INCL. offset)<br>J15 2.5%(INCL. offset) |

**NEW**

# J4 series

— 2.5 to 4W output power —



- > UL1950-EN60950(TÜV) approved
- > Ultra low noise, high stability
- > External output control and output monitor
- > Extensive protection
- > Broad output range

## SUMMARY

The J4 series is a high power (4W) PMT power supply featuring ultra low noise (2mV). It is also an ideal choice for photo tubes, GM tubes, and radiation counters.

## LINEUP

| Output voltage (kVdc) | Output current (mA) | Model           |            |                 |            | Ripple (mVp-p) | Voltage Monitor |              |
|-----------------------|---------------------|-----------------|------------|-----------------|------------|----------------|-----------------|--------------|
|                       |                     | Positive output |            | Negative output |            |                | output(v)       | impedance(Ω) |
| 0 to 0.5              | 8                   | J4-0.5P         | J4-0.5P-LX | J4-0.5N         | J4-0.5N-LX | 5              | 0 to 5          | 50K          |
| 0 to 1                | 4                   | J4-1P           | J4-1P-LX   | J4-1N           | J4-1N-LX   | 2              | 0 to 1          | 10K          |
| 0 to 1.5              | 2.5                 | J4-1.5P         | J4-1.5P-LX | J4-1.5N         | J4-1.5N-LX | 2              | 0 to 1.5        | 25K          |
| 0 to 2                | 2                   | J4-2P           | J4-2P-LX   | J4-2N           | J4-2N-LX   | 2              | 0 to 2          | 25K          |
| 0 to 3                | 1                   | J4-3P           | J4-3P-LX   | J4-3N           | J4-3N-LX   | 3              | 0 to 3          | 30K          |
| 0 to 5                | 0.5                 | J4-5P           | J4-5P-LX   | J4-5N           | J4-5N-LX   | 10             | 0 to 5          | 100K         |

## SPECIFICATIONS

|                               |   |
|-------------------------------|---|
| <b>Input Voltage</b>          | +24V to +30V @400mA TYP   |
| <b>Output Voltage Control</b> | An external 5kΩ potentiometer or a remote 0 to +9V source   |
| <b>Local programming</b>      | Internal multi-turn potentiometer   |
| <b>Regulation</b>             | Line : 0.001% for ±1% input change<br>Load : 0.001% for 0 to 100% load change   |
| <b>Stability</b>              | 0.005%/Hr 0.02%/8Hr   |
| <b>Temperature coef.</b>      | 50ppm/°C  |
| <b>Monitors</b>               | Voltage monitor<br>See table for details  |
| <b>Current limit</b>          | 120% of maximum output current  |
| <b>Protection</b>             | Short circuit and arc protected   |
| <b>Input terminal</b>         | J4 : 8 pin connector<br>mating connector and pins are assorted<br>(Recommendation :<br>wire for pin ① ② ⑥ are AWG18<br>wire for pin ③ ④ ⑤ ⑦ ⑧ are AWG22 to 18<br>Crimp Tooling for Molex crimp terminal 2478, 2578)<br>J4-LX : 12 pin card edge connector<br>(mating connector is assorted) |
| <b>HV output cable</b>        | 50cm(1.6 feet) shielded cable(flying lead)  |
| <b>Temperature range</b>      | Operating : 0 to 50 °C<br>Storage : -20 to 60 °C  |

Note : These specifications are at the maximum rated output after a 1/2Hr warm-up period unless otherwise specified.

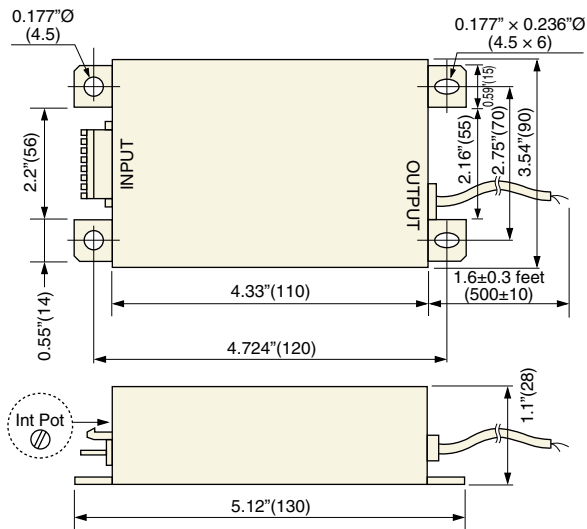
## OPTIONS

- L15** Vin ±12V to ±18V @400mA typ
- LMH** MHV OUTPUT CONNECTOR
- LSH** SHV OUTPUT CONNECTOR  
Add "-L15" "-LMH" "-LSH" to the Model number at time of order.  
(i.e. J4-0.5P-LX15MH)
- CN8R** Assembled input connector(accessory)  
(connector with 25cm flying leads)

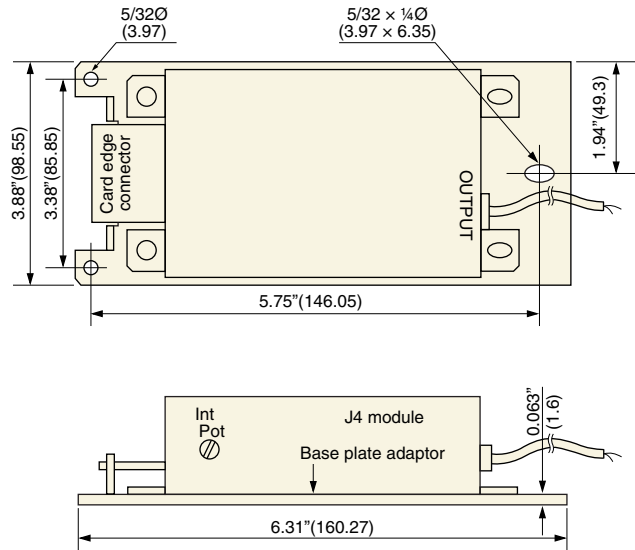


## DIMENSIONS inch(mm)

**J4**

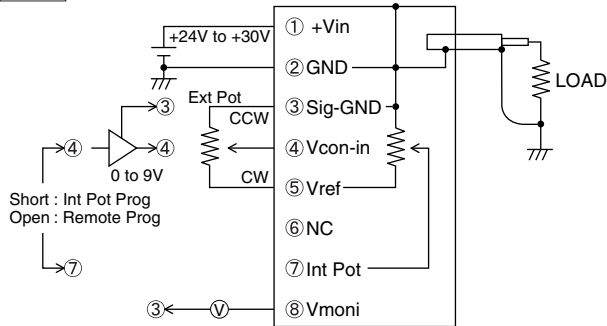


**J4-LX**

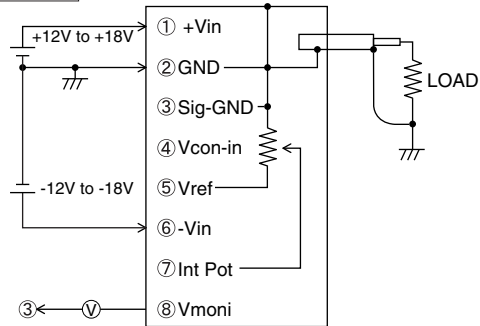


## CONNECTION DIAGRAM

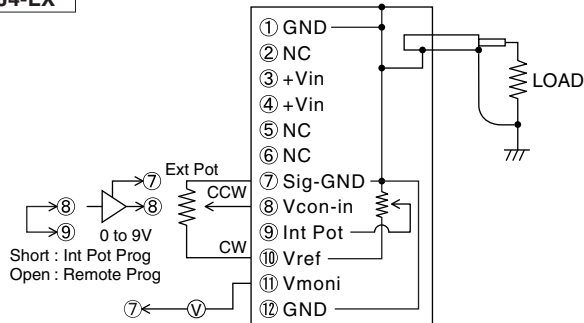
**J4**



**J4-L15 (OPTION)**



**J4-LX**



**J4-LX15 (OPTION)**

