

High power · Low profile rack mount

DC Power supply RG series

18V to 650V, 30W to 100W

Matsusada Precision Inc.

CA Office : 2570 N. First St., Suite 222 San Jose CA 95131

Tel : +1-408-273-4573 Fax : +1-408-273-4673

NY Office : 80 Orville Drive Suite 100 Bohemia NY 11716

Tel : +1-631-244-1407 Fax : +1-631-244-1496

Headquarters : 745 Aoji-cho Kusatsu Shiga 525-0041 Japan

Tel : +81-77-561-2111 Fax : +81-77-561-2112

www.matsusada.com/contact

1088-01Ab-1

《 GPIB 》 《 RS-232C 》 《 RS-485 》 《 USB 》



Ultra slim · Ultra light !

- Ultra compact desktop model of only 2.75" wide (and up)
- Lightest in the class, about 7.5lb(and up)

High performance !

- Ultra low ripple, low noise, high-speed response

Great operability !

- Accurate setting by simple operation

Spot-on operability and sophisticated design !

RG series is high-performance regulated DC power supply of series regulator method designed for speedy and accurate operation.

RGE series is low-cost regulated DC power supply with the same operability and performance of RG series, with functions are limited for experiment purpose.

Wide range line-up of 13 models in total from 18V to 650V allows you to choose the best suitable model for your purpose. This is a compact and lightweight power supply that can be widely used for research and development, aging power supply, system power supply and educational purpose.

LINE UP

Output voltage (V)	Output current (A)	RG series MODEL	RGE series MODEL	Constant voltage mode			Constant current mode			Consumed power (approx.) (VA)	weight (approx.) (lb)
				Ripple (mVrms)	Line reg. (mV)※1	Load reg. (mV)※2	Ripple (mArms)	Line reg. (mA)※1	Load reg. (mA)※2		
0 to 18	0 to 2	RG-18-2	RGE-18-2	0.5	1	2	1	2	10	75	7.5
	0 to 3	RG-18-3	RGE-18-3			3	2		15	100	9.47
	0 to 4	RG-18-4	RGE-18-4			4	4	130	9.47		
	0 to 5	RG-18-5	RGE-18-5			5		4	20	170	13.66
0 to 36	0 to 1.2	RG-36-1.2	RGE-36-1.2	2	4	2	1	2	10	75	7.5
	0 to 2.2	RG-36-2.2	RGE-36-2.2			15	130		9.47		
	0 to 3	RG-36-3	RGE-36-3			200	13.66				
0 to 60	0 to 1.2	RG-60-1.2	RGE-60-1.2	1	4	7	7	10	130	9.47	
0 to 120	0 to 0.6	RG-120-0.6	RGE-120-0.6						160	11.9	
0 to 160	0 to 0.45	RG-160-0.45	RGE-160-0.45	3	10	10	1	5	160	11.9	
0 to 250	0 to 0.3	RG-250-0.3	RGE-250-0.3						15	15	170
0 to 360	0 to 0.2	RG-360-0.2	RGE-360-0.2	5	25	25	1	5	160	11.9	
0 to 650	0 to 0.1	RG-650-0.1	RGE-650-0.1	10	30	30			140	13.22	

※1: For AC ±10% line change. ※2: For 0 to 100% load change.

RG Series 30W to 100W

SPECIFICATIONS

Input voltage 115VAC±10% 50/60Hz 1Ø

Output control Local: Constant voltage: Front panel 10-turn potentiometer
Constant current: Front panel 1-turn potentiometer

※ Remote: Constant voltage: External control voltage 0Vdc to around 10Vdc or external variable resistor 0Ω to around 10kΩ
Constant current: External control voltage 0Vdc to around 10Vdc or external variable resistor 0Ω to around 10kΩ

Output display Output voltage: 3-digit digital meter, accuracy ±(0.5%rdg+1digit)
below 60V models: 99.9V fixed, over 120V models: 999V fixed

Output current: 3-digit digital meter, accuracy ±(1%rdg+2digit)
below 60V models: 9.99A fixed, over 120V models: 999mA fixed

Function · Remote sensing※
· Remote switch ON/OFF (external relay)※
· Series operation (within earth-termination voltage)
· One-control parallel operation (operable only with same model)
· Parallel operation

Constant voltage transient response 50μ sec TYP

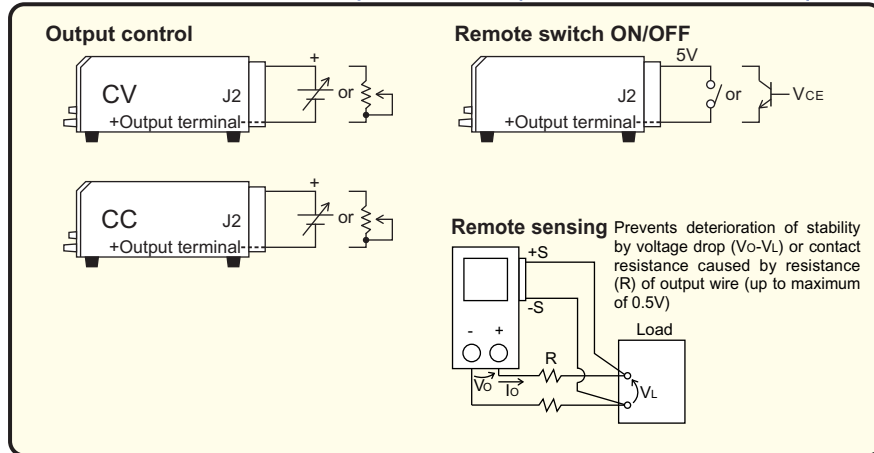
Operation conditions 0°C to 40°C, 10% to 85%RH (no condensation)

Earth-termination voltage Below 60V models: ±250V-DC
(positive or negative terminal can be grounded)
Models 120V to 360V: ±500V-DC
(positive or negative terminal can be grounded)
650V model: ±650V-DC (positive or negative terminal can be grounded)

※ only for RG series

FUNCTION

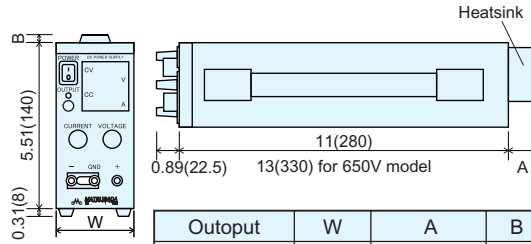
Remote control connector J2 Only for RG series (RGE has no these functions)



※ Common of external control and output is still connected even when AC power supply is turned off. Please be careful when using external control.

DIMENSIONS inch(mm)

1088-01Ab-2



Output	W	A	B
18V/2A 36V/1.2A	2.75 (70)	0.95 (24)	-
other models	4.13 (105)		
18V/5A 36V/3A	5.31 (135)	2.12 (54)	0.31 (8)

OPTIONS

-L(100V), -L(120V), -L(200V), -L(220V), -L(240V)

Add above L mark to the model number when ordering
(e.g) RG-60-1.2-L(220V) alphabetical, numerical order

Input range is ±10% for all.

※ Rack mount adapter for 19"rack is available